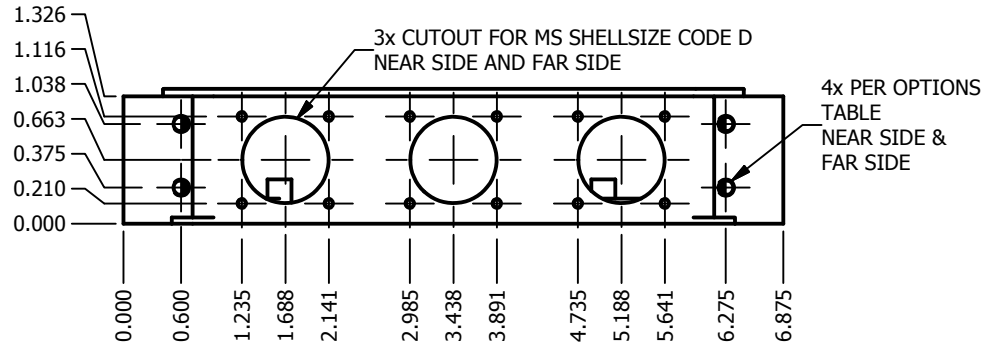
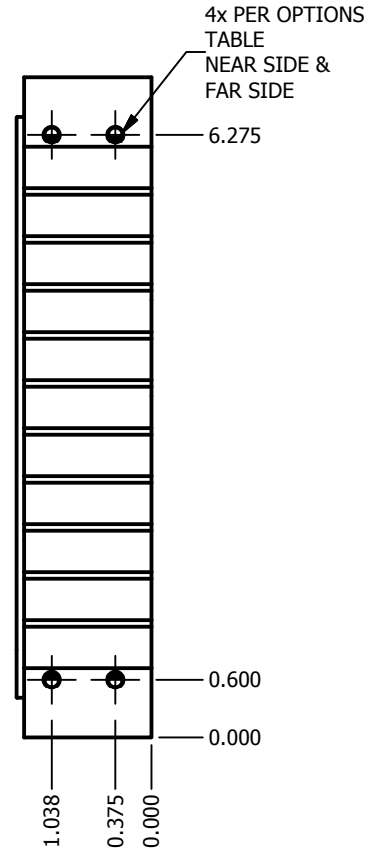
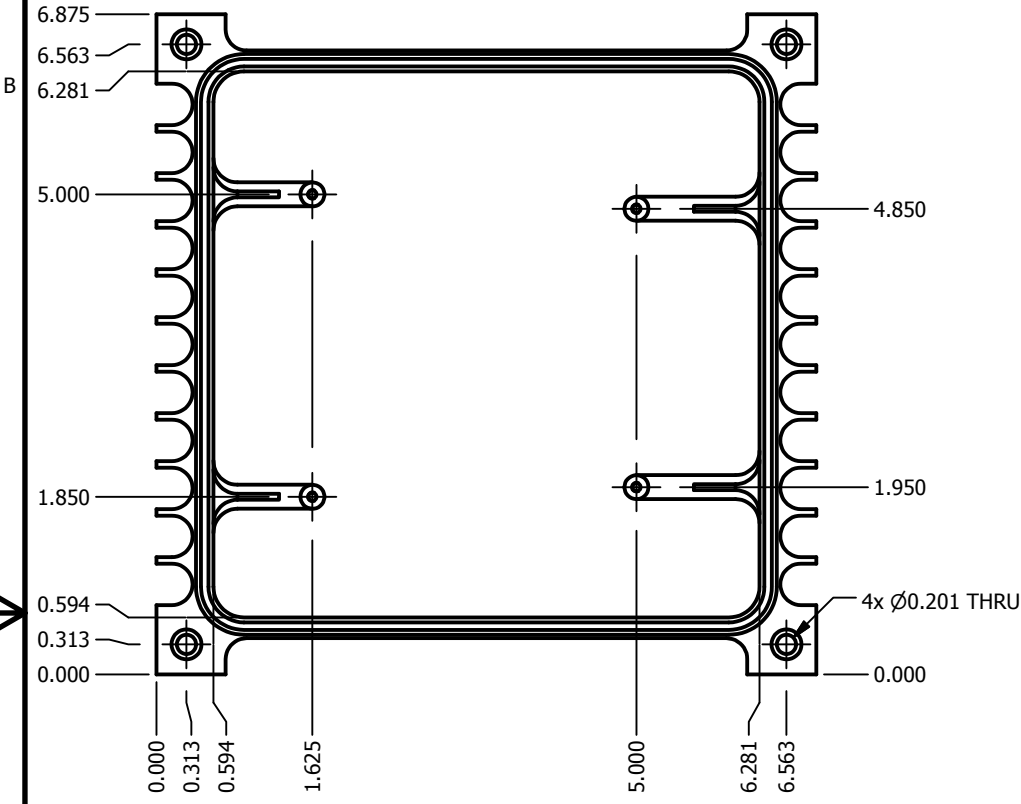
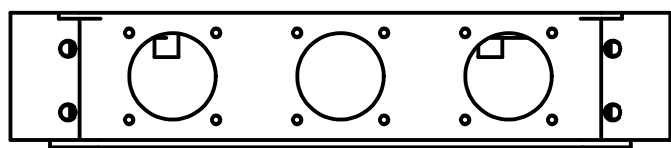


COPYRIGHT 2005, 2006, 2007, 2008 LAKENHEATH ELECTRONICS DESIGN, INC.

C:\Inventor\Libraries\Hardware Enclosures\LED\FlutedRings\Drawings\PR-LED-MP-2306.idw
 C:\Inventor\Libraries\Hardware Enclosures\LED\FlutedRings\Parts\FRD\HSM_2306.ipf

| | |
|------------------------|-----------------|
| MAT'L Aluminum-6061 | MASS 0.41 kg |
|------------------------|-----------------|



| OPTIONS TABLE | |
|--|-------|
| NO FINISH OPTION | -0000 |
| CLEAR CHROMATE PER MIL-C-5541E CLASS 1A. | -0001 |
| YELLOW CHROMATE PER MIL-C-5541E CLASS 1A. | -0002 |
| CLEAR CHROMATE PER MIL-C-5541E CLASS 3. | -0003 |
| YELLOW CHROMATE PER MIL-C-5541E CLASS 3. | -0004 |
| CLEAR ANODIZE PER MIL-A-8625 TYPE II CLASS 1. | -0005 |
| BLACK ANODIZE PER MIL-A-8625 TYPE II CLASS 2. | -0006 |
| CUSTOM FINISH OPTION. | -000X |
| TUMBLING FINISH. | -0010 |
| BEAD-BLASTED FINISH. | -0020 |
| NO SIDE MOUNTING OPTION. | -0000 |
| 10-32 UNF - 2B 0.625" SIDE MOUNTING. | -0100 |
| M5.0 X 0.8 - 6H 0.625" SIDE MOUNTING. | -0200 |
| 10-32 THREADED INSERTS FOR SIDE MOUNTING. | -0300 |
| M5.0 X 0.8 THREADED INSERTS FOR SIDE MOUNTING. | -0400 |
| CUSTOM SIDE MOUNTING OPTION. | -000X |
| 4-40 UNC-2B PC/104 BOARD MOUNTING. | -0000 |
| M3.0 X 0.5 - 6H PC/104 BOARD MOUNTING. | -M000 |

| | |
|------------------------------------|------------------|
| BASE PART NO LED-MP-2306 | |
| DRAWN T. Seeley | DATE 4/3/2008 |
| CHECKED | DATE |
| QA | DATE |
| MFG | DATE |
| APPROVED | DATE |

RoHS COMPLIANT FINISH

LAKENHEATH ELECTRONICS DESIGN, INC.

BETHESDA, MD 20814 TEL: 301-404-0386
 www.lakenheathelectronics.com

| | |
|--|--------------------|
| TITLE RING, FLUTED, ALUMINUM, DUAL HEIGHT, WITH 6x TVPS02RF-15-XX | |
| SIZE A | CAGE CODE 4JQE2 |
| DWG NO PR-LED-MP-2306 | REV - |



| | | |
|-------------|---------------------------------|--------------|
| SCALE: NONE | LAST UPDATE: 080404 1635 TDS | SHEET 1 OF 1 |
|-------------|---------------------------------|--------------|