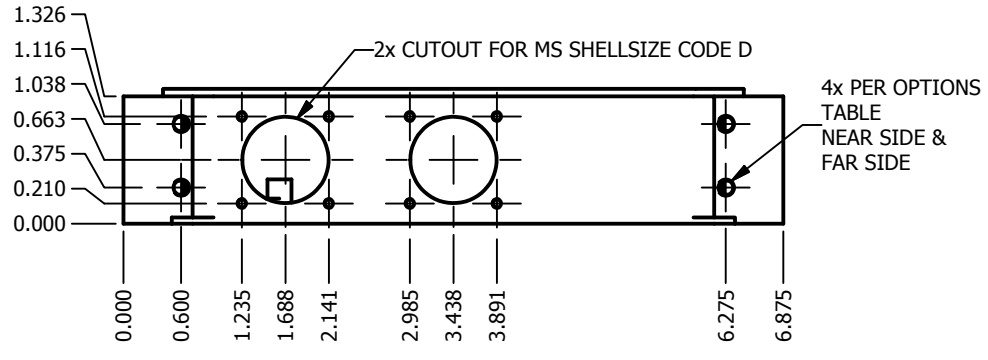
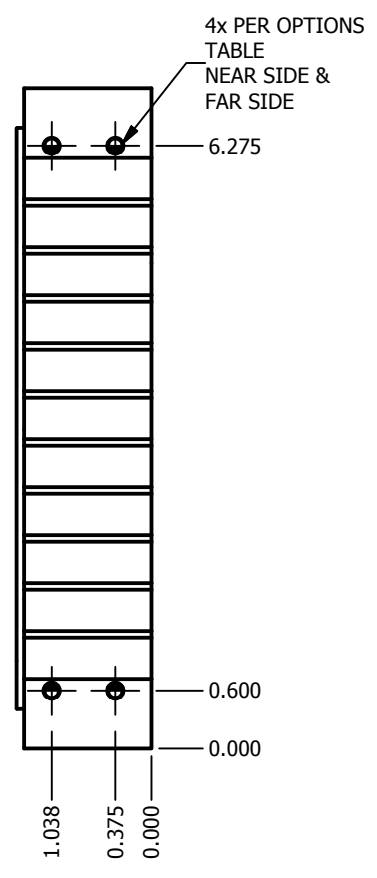
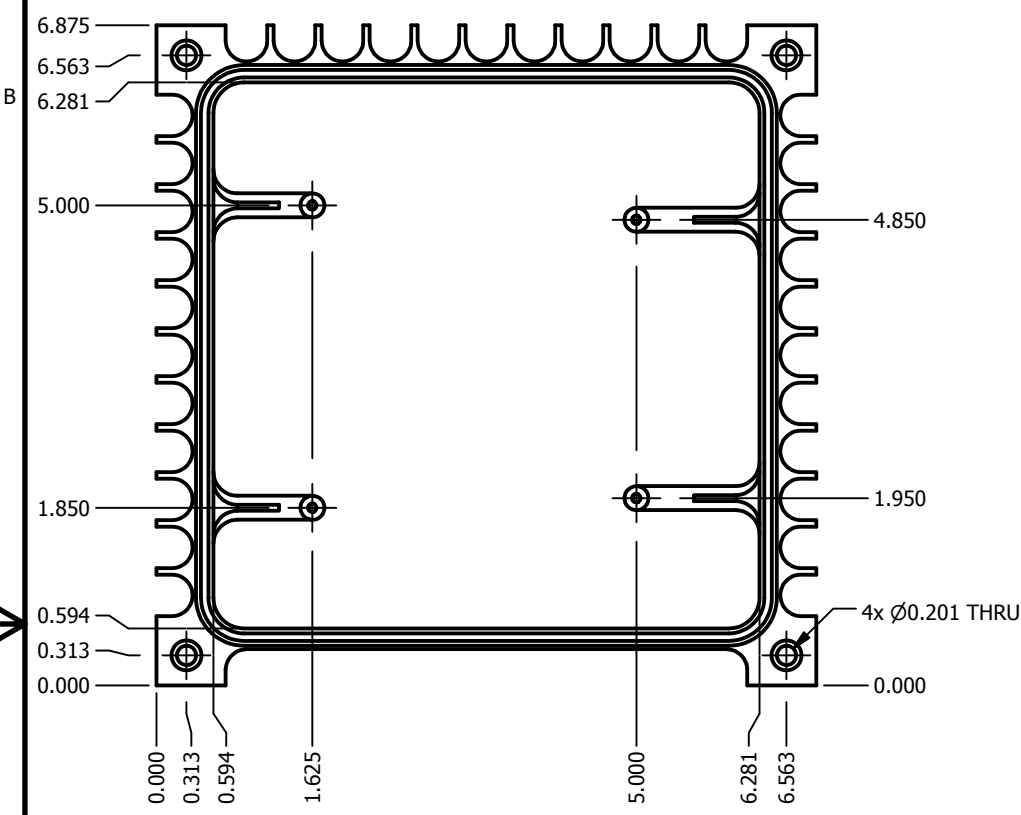
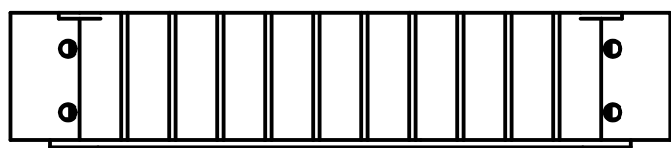


COPYRIGHT 2005, 2006, 2007, 2008 LAKENHEATH ELECTRONICS DESIGN, INC.

C:\Inventor\Libraries\Hardware\Enclosures\LED\FlutedRings\Drawings\PR-LED-MP-2313.ipt

MAT'L Aluminum-6061 MASS 0.46 kg



OPTIONS TABLE		
NO FINISH OPTION	<input checked="" type="checkbox"/>	-0000
CLEAR CHROMATE PER MIL-C-5541E CLASS 1A.	<input checked="" type="checkbox"/>	-0001
YELLOW CHROMATE PER MIL-C-5541E CLASS 1A.	<input checked="" type="checkbox"/>	-0002
CLEAR CHROMATE PER MIL-C-5541E CLASS 3.	<input checked="" type="checkbox"/>	-0003
YELLOW CHROMATE PER MIL-C-5541E CLASS 3.	<input checked="" type="checkbox"/>	-0004
CLEAR ANODIZE PER MIL-A-8625 TYPE II CLASS 1.	<input checked="" type="checkbox"/>	-0005
BLACK ANODIZE PER MIL-A-8625 TYPE II CLASS 2.	<input checked="" type="checkbox"/>	-0006
CUSTOM FINISH OPTION.	<input type="checkbox"/>	-000X
TUMBLING FINISH.	<input checked="" type="checkbox"/>	-0010
BEAD-BLASTED FINISH.	<input checked="" type="checkbox"/>	-0020
NO SIDE MOUNTING OPTION.	<input type="checkbox"/>	-0000
10-32 UNF - 2B 0.625" SIDE MOUNTING.	<input type="checkbox"/>	-0100
M5.0 X 0.8 - 6H 0.625" SIDE MOUNTING.	<input type="checkbox"/>	-0200
10-32 THREADED INSERTS FOR SIDE MOUNTING.	<input type="checkbox"/>	-0300
M5.0 X 0.8 THREADED INSERTS FOR SIDE MOUNTING.	<input type="checkbox"/>	-0400
CUSTOM SIDE MOUNTING OPTION.	<input type="checkbox"/>	-000X
4-40 UNC-2B PC/104 BOARD MOUNTING.	<input type="checkbox"/>	-0000
M3.0 X 0.5 - 6H PC/104 BOARD MOUNTING.	<input type="checkbox"/>	-M000

RoHS COMPLIANT FINISH

BASE PART NO LED-MP-2313	
DRAWN T. Seeley	DATE 6/4/2008
CHECKED	DATE
QA	DATE
MFG	DATE
APPROVED	DATE

LAKENHEATH ELECTRONICS DESIGN, INC.
 BETHESDA, MD 20814 TEL: 301-404-0386
 www.lakenheathelectronics.com

TITLE
RING, FLUTED, ALUMINUM, DUAL HEIGHT, WITH 2x TVPS02RF-15-XX



SIZE A	CAGE CODE 4JQE2	DWG NO PR-LED-MP-2313	REV -
SCALE: NONE		LAST UPDATE: 080604 2044 TDS	SHEET 1 OF 1