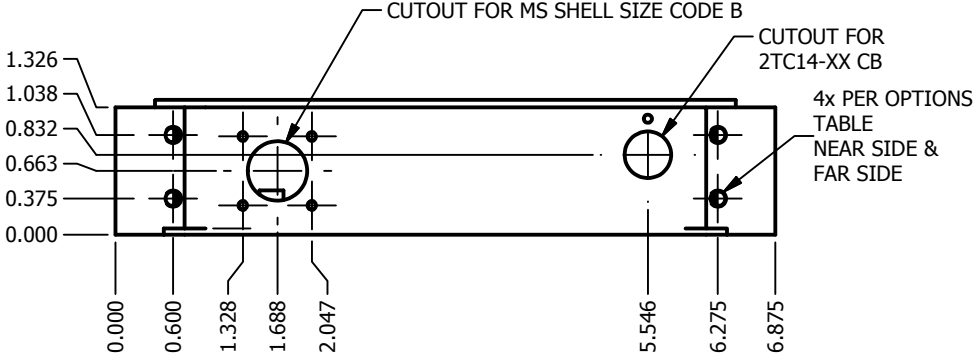
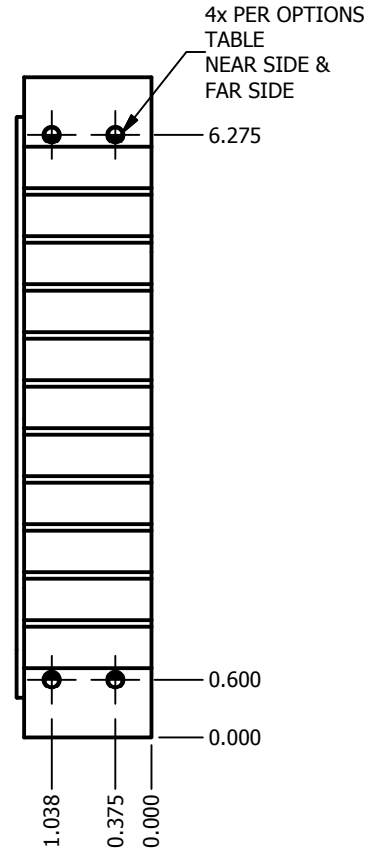
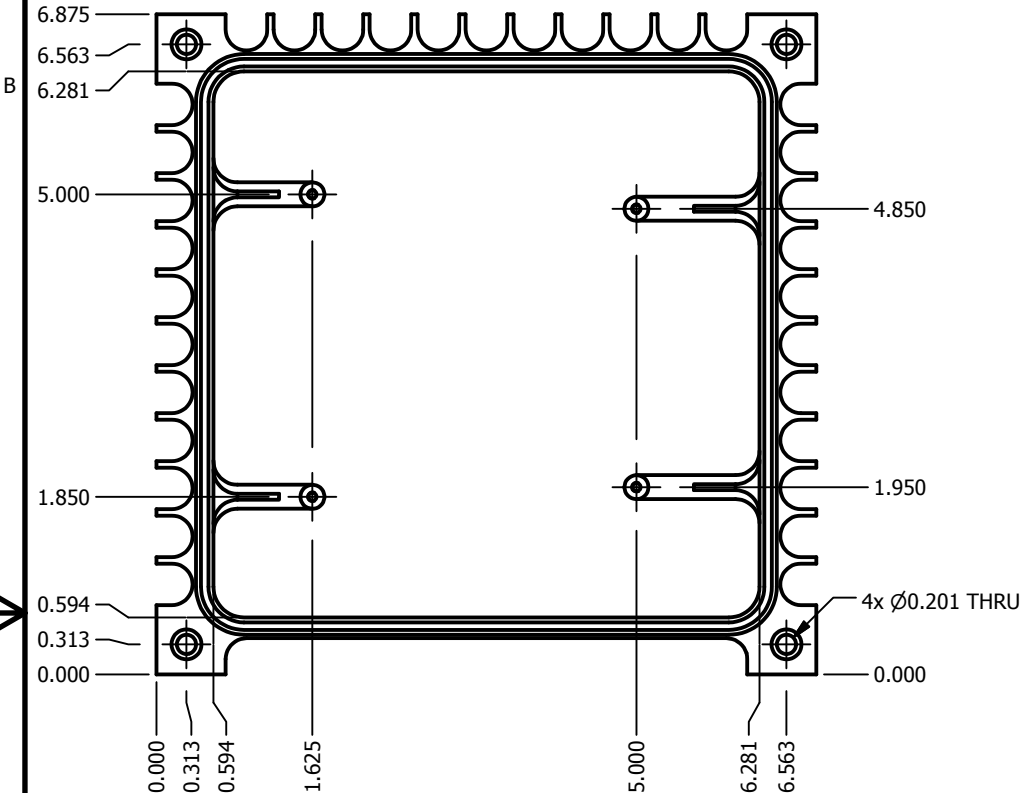
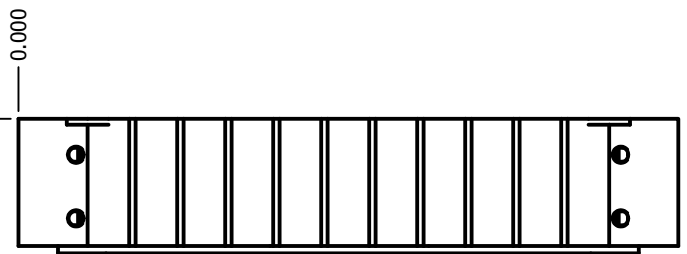


MAT'L	Aluminum-6061	MASS	0.47 kg
-------	---------------	------	---------



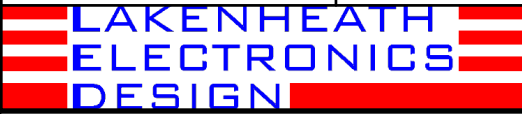
OPTIONS TABLE		
NO FINISH OPTION	✓	-0000
CLEAR CHROMATE PER MIL-C-5541E CLASS 1A.	✓	-0001
YELLOW CHROMATE PER MIL-C-5541E CLASS 1A.	✓	-0002
CLEAR CHROMATE PER MIL-C-5541E CLASS 3.	✓	-0003
YELLOW CHROMATE PER MIL-C-5541E CLASS 3.	✓	-0004
CLEAR ANODIZE PER MIL-A-8625 TYPE II CLASS 1.	✓	-0005
BLACK ANODIZE PER MIL-A-8625 TYPE II CLASS 2.	✓	-0006
CUSTOM FINISH OPTION.		-000X
TUMBLED FINISH.	✓	-0010
BEAD-BLASTED FINISH.	✓	-0020
NO SIDE MOUNTING OPTION.		-0000
10-32 UNF - 2B 0.625" SIDE MOUNTING.		-0100
M5.0 X 0.8 - 6H 0.625" SIDE MOUNTING.		-0200
10-32 THREADED INSERTS FOR SIDE MOUNTING.		-0300
M5.0 X 0.8 THREADED INSERTS FOR SIDE MOUNTING.		-0400
CUSTOM SIDE MOUNTING OPTION.		-000X
4-40 UNC-2B PC/104 BOARD MOUNTING.		-0000
M3.0 X 0.5 - 6H PC/104 BOARD MOUNTING.		-M000

COPYRIGHT 2005, 2006, 2007, 2008, 2009 LAKENHEATH ELECTRONICS DESIGN, INC.

BASE PART NO LED-MP-2316	
DRAWN T. Seeley	DATE 2/16/2009
CHECKED	DATE
QA	DATE
MFG	DATE
APPROVED	DATE

LAKENHEATH ELECTRONICS DESIGN, INC.
 BETHESDA, MD 20814 TEL: 301-404-0386
 www.lakenheathelectronics.com

TITLE
RING, FLUTED, ALUMINUM, DUAL HEIGHT, WITH TVPS02RF-11-2P AND 2TC14-XX CIRCUIT BREAKER



SIZE A	CAGE CODE 4JQE2	DWG NO PR-LED-MP-2316	REV -
SCALE: NONE		LAST UPDATE: 090216 1130 TDS	SHEET 1 OF 1

C:\Inventor\Libraries\Hardware\Enclosures\LED\FlutedRings\Drawings\PR-LED-MP-2316.ipt