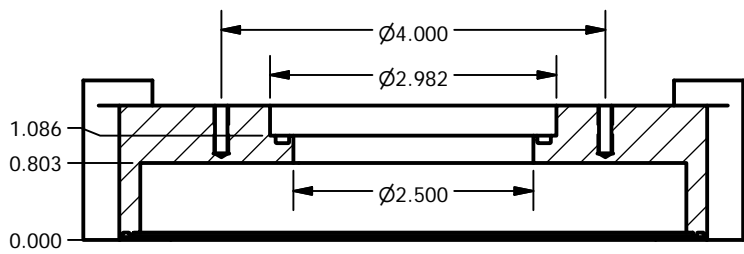
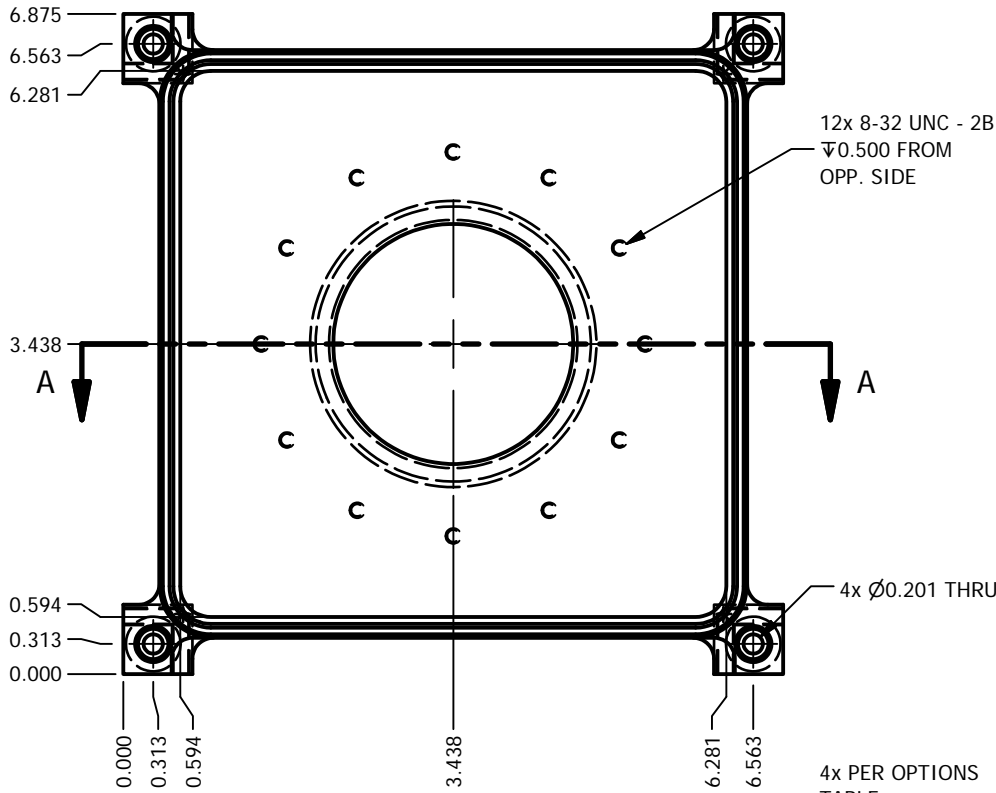


C:\Inventor\Libraries\Hardware\Enclosures\LED\StandardRings\Drawings\PR-LED-MP-3601.dwg
 C:\Inventor\Libraries\Hardware\Enclosures\LED\StandardRings\Parts\UFLSM_3601.ipt
 COPYRIGHT 2005, 2006, 2007, 2008 LAKENHEATH ELECTRONICS DESIGN, INC.

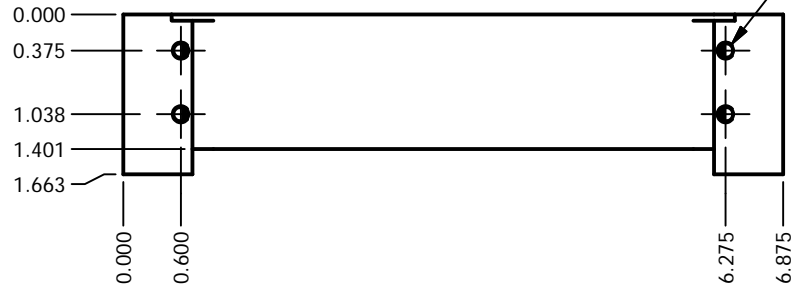
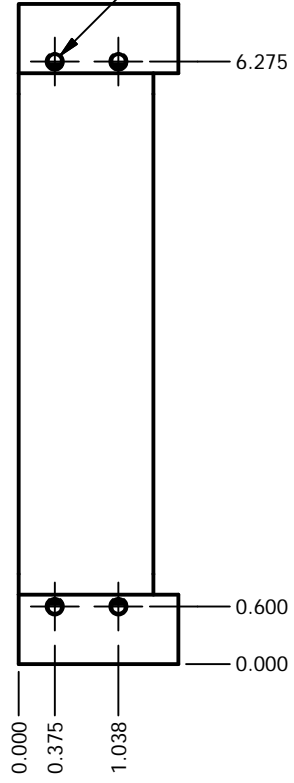
MAT'L Aluminum-6061	MASS 1.09 kg
------------------------	-----------------



SECTION A-A



4x PER OPTIONS TABLE NEAR SIDE & FAR SIDE



4x PER OPTIONS TABLE NEAR SIDE & FAR SIDE

OPTIONS TABLE		
NO FINISH OPTION		-0000
CLEAR CHROMATE PER MIL-C-5541E CLASS 1A.		-0001
YELLOW CHROMATE PER MIL-C-5541E CLASS 1A.		-0002
CLEAR CHROMATE PER MIL-C-5541E CLASS 3.		-0003
YELLOW CHROMATE PER MIL-C-5541E CLASS 3.		-0004
CLEAR ANODIZE PER MIL-A-8625 TYPE II CLASS 1.		-0005
BLACK ANODIZE PER MIL-A-8625 TYPE II CLASS 2.		-0006
CUSTOM FINISH OPTION.		-000X
TUMBLED FINISH.		-0010
BEAD-BLASTED FINISH.		-0020
NO SIDE MOUNTING OPTION.		-0000
10-32 UNF - 2B 0.625" SIDE MOUNTING.		-0100
M5.0 X 0.8 - 6H 0.625" SIDE MOUNTING.		-0200
10-32 THREADED INSERTS FOR SIDE MOUNTING.		-0300
M5.0 X 0.8 THREADED INSERTS FOR SIDE MOUNTING.		-0400
CUSTOM SIDE MOUNTING OPTION.		-000X
4-40 UNC-2B PC/104 BOARD MOUNTING.		-0000
M3.0 X 0.5 - 6H PC/104 BOARD MOUNTING.		-M000

RoHS COMPLIANT FINISH

BASE PART NO LED-MP-3601	
DRAWN T. Seeley	DATE 4/6/2008
CHECKED	DATE
QA	DATE
MFG	DATE
APPROVED	DATE

LAKENHEATH ELECTRONICS DESIGN, INC.
 BETHESDA, MD 20814 TEL: 301-404-0386
 www.lakenheathelectronics.com

TITLE
LID, STANDARD, ALUMINUM DUAL HEIGHT, WITH CAMERA APERTURE



SIZE A	CAGE CODE 4JQE2	DWG NO PR-LED-MP-3601	REV -
SCALE: NONE		LAST UPDATE: 080406 2104 TDS	SHEET 1 OF 1